

EN

POWER GENERATOR installation guide

DSE controller telematics



GemOne[®]

Content

General information	4
Technical specs	5
Dimensions	6
Components	7
Connect mobile antenna	8
Connect GPS antenna	9
Wiring	10
Wiring DSE7310 MKII	10
Wiring DSE8610 MKII	11
LEDs	12
Power Indicator LED	12
Connection Status LEDs	12
Signal Strength LEDs	13
Support	14

General information

Our Power Generator Monitor is designed to monitor power generators and lighting towers with DSE controller modules.

It allows you to gain insights into the operational parameters of your generators and lighting towers, which are often located far away or in remote locations.

This makes remote diagnostics and assistance possible, enabling service and maintenance to be carried out at a distance.



Technical specs

Power

Connector: 2 pins in 16 pin industrial terminal block
Input voltage range: 9 – 30 VDC, reverse polarity protection, surge protection +/-1 kV 50 µs max
Power consumption: idle: <1.2W, Max <5W

Physical specifications

Casing material: Aluminium housing
Dimensions: 74 x 83 x 25 mm (L x W x H)
Weight: 165 g
Operating temp.: -40°C to 75°C
Input voltage range: 0 - 30 V

GSM (data)

External high gain antenna
4G (LTE) – Cat 4 up to 150 Mbps
3G – Up to 42 Mbps
2G – Up to 236.8 kbps
Dual SIM

GNSS (positioning):

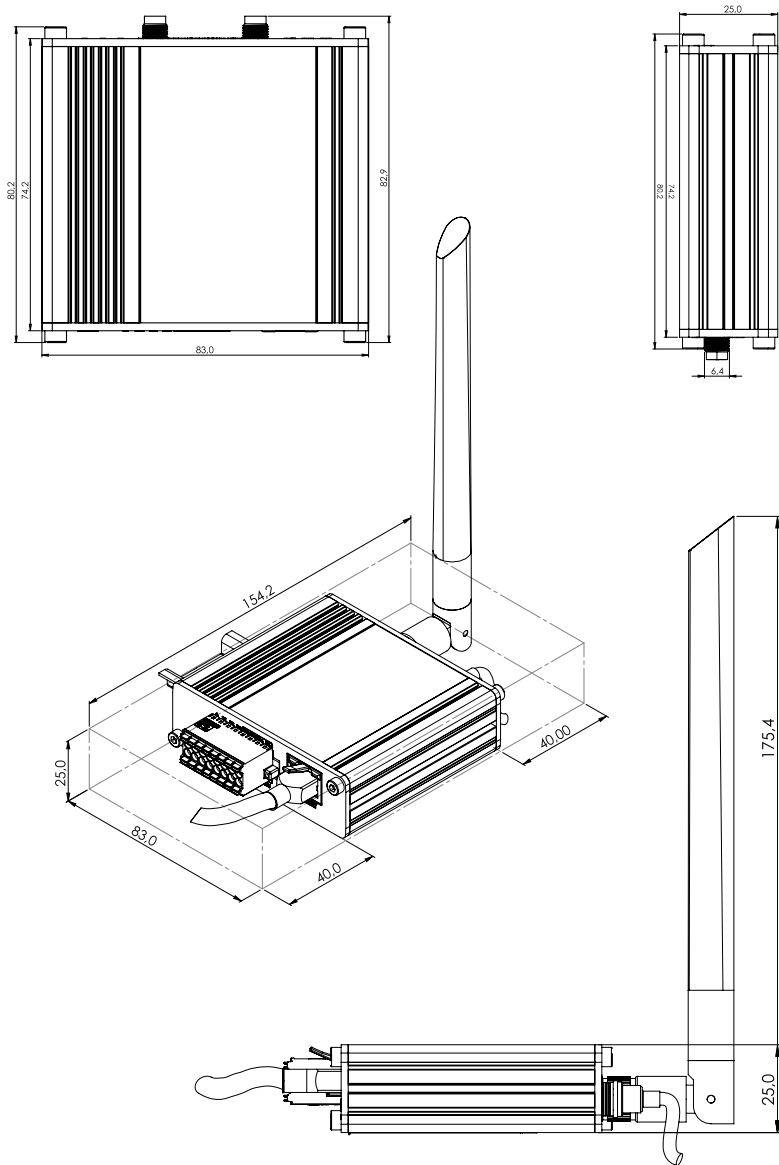
Receiver: GPS, GLONASS, BeiDou, Galileo and QZSS
Antenna: External high gain antenna

Connectivity

1 x RS485
1 x RS232*
1 x Ethernet*
1 x Analog input
3 x Configurable digital IO*

**Reserved for future use*

Dimensions



Components



Connect mobile antenna

Locate the 4G LTE antenna connector on the device, labeled as 'MOBILE' and located on the right.



Hand-tighten the mobile antenna to the connector of the device.



Position the antenna vertically in the machine for best reception, away from metal or other surfaces which might block the mobile signal.



Connect GPS antenna

Locate the GPS antenna on the device, labeled as 'GPS' and located on the left.



Hand-tighten the GPS antenna to the connector of the device.

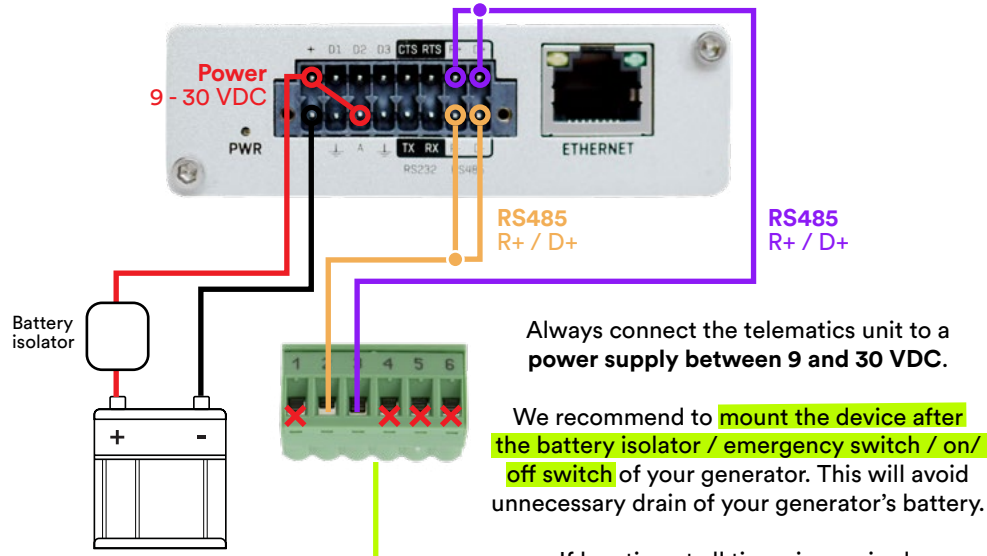


Place the antenna on the outside on top of the machine, with a clear unobstructed view of the sky. Make sure the antenna is not blocked by nearby metal surfaces.



Wiring

Wiring DSE7310 MKII



Always connect the telematics unit to a power supply between 9 and 30 VDC.

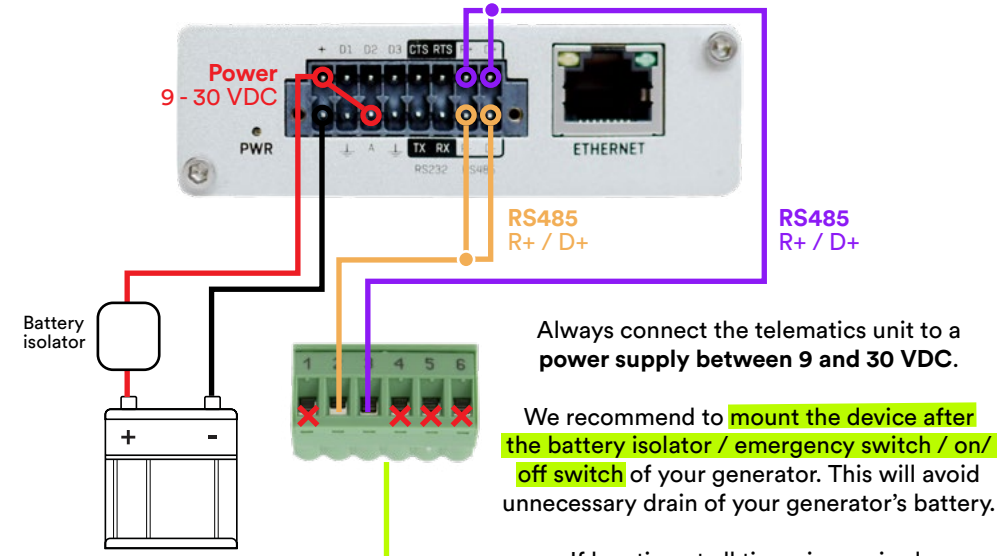
We recommend to mount the device after the battery isolator / emergency switch / on/off switch of your generator. This will avoid unnecessary drain of your generator's battery.

If location at all times is required, the telematics unit can be mounted before the isolator switch. However, keep a close eye on your battery's health.



DSE7310 MKII

Wiring DSE8610 MKII



Always connect the telematics unit to a power supply between 9 and 30 VDC.

We recommend to mount the device after the battery isolator / emergency switch / on/off switch of your generator. This will avoid unnecessary drain of your generator's battery.

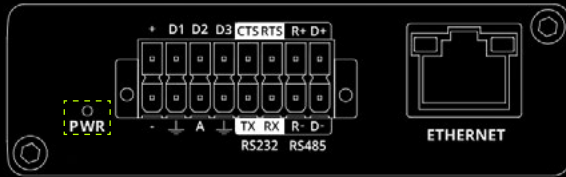
If location at all times is required, the telematics unit can be mounted before the isolator switch. However, keep a close eye on your battery's health.



DSE8610 MKII

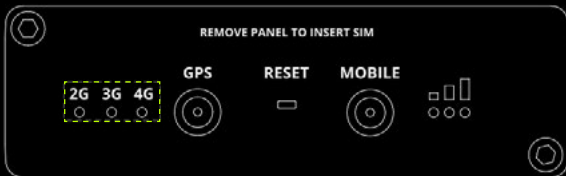
LEDs

Power Indicator LED



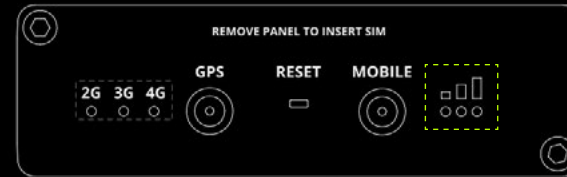
Indicator LED state	Description
ON	Telematics unit is powered on
OFF	Telematics unit is powered off

Connection Status LEDs



Connection status LEDs state	Description
2G, 3G and 4G LEDs are blinking at the same time	No SIM
2G, 3G and 4G LEDs light up and down in sequence	Searching mobile network operator
2G/3G/4G LED blinking	Telematics unit connected to 2G/3G/4G, no data session established
2G/3G/4G LED turned ON	Gateway connected to 2G/3G/4G with data session

Signal Strength LEDs



No. of lit up signal strength LEDs	Signal strength value
0	No signal
1	Weak signal strength
2	Good signal strength
3	Excellent signal strength

Support

In case of issues, questions or feedback, feel free to contact our support team.

 +32 56 93 01 08

 support_emea@gemone.com

Save time with our connectors

Request connectors for your machines to save time while installing this tracker. GemOne offers a multitude of different connectors. Get in contact with your account manager for an offer.



Lets get connected:

- 📷 [instagram.com/gemoneofficial](https://www.instagram.com/gemoneofficial)
- 📘 [facebook.com/gemone.telematics](https://www.facebook.com/gemone.telematics)
- 🌐 [linkedin.com/company/gemone](https://www.linkedin.com/company/gemone)
- 🐦 twitter.com/GemOne_
- ✉️ support_emea@gemone.com

www.gemone.com



©2022 - GemOne NV, Spinnerijstraat 99/23, BE-8500 KORTRIJK. All rights reserved. No part of this publication may be reproduced or communicated in any form or by any means, electronic or mechanical, including copying, recording or use in an information storage or retrieval system, without prior and explicit permission of GemOne NV. Photographs and illustrations are included for reference purposes only. GemOne is a registered brand.